



JSL INDUSTRIES LTD.

# “Jyoti” Voltage Transformer 66 kV. (Outdoor)

Introduction

Features & Technical Specification

General Arrangement

Technical Details along with Order



**JSL INDUSTRIES LTD.**

Oil / Paper Insulated Compact Design, High Mechanical and Dielectric properties Complying with latest.  
IS : 3156 upto 66 kv Rating

## “Jyoti” Voltage Transformer 66 kV. (Outdoor)



## ‘Jyoti’ Oil Cooled Current Transformer for Outdoor Installation to Meet the Growing Industrial Demand for Reliable Measurement of Power and Protection of Distribution System upto 66 kV Rating

The reliability of the Voltage Transformer is very crucial and of prime importance in Switchgear. The cost of Voltage Transformer is relatively very low compared to that of entire switchgear but the whole system depends on the performance of Voltage Transformer for measurement and its protection. Maximum three secondary windings can be provided to meet the requirements of metering and protective class. The unit is hermetically sealed type with S.S. Bellows so as to prevent contamination of oil, due to atmospheric variations. As an option, Voltage Transformer can also be supplied filled with Nitrogen Gas over the top of oil. Dual ratio may also be offered on request, which can be obtained by secondary tapping method.

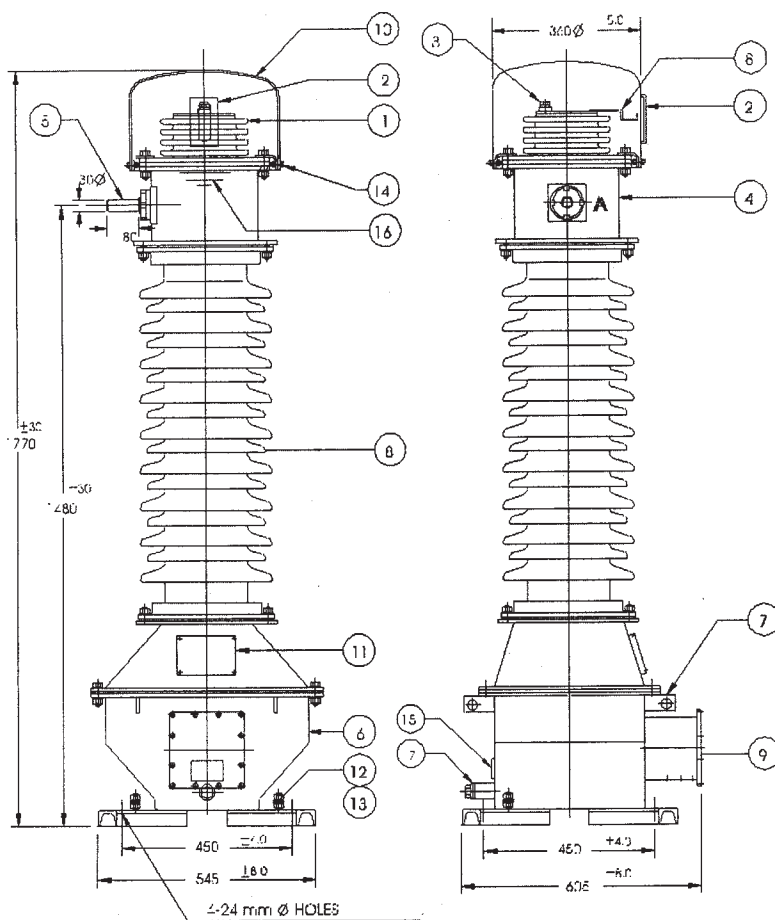
### CONSTRUCTION AND DESIGN FEATURES

- Voltage Transformer is of single pole design and earthing of terminal ‘N’ is must.
- VT is supplied with a test tap for measurement of Tan Delta and Capacitance to monitor the insulation property of VT during service
- Use of best quality cores to achieve maximum accuracy.
- H.V & L.V Windings accommodated in the tank at bottom, which is at earth potential.
- Use of porcelain bushing suitable for heavily polluted atmosphere.
- Easy accessibility to L.V. Terminals
- Oil / paper insulation for better reliability
- Metal Parts treated for corrosion resistance against atmosphere.
- All ferrous parts exposed to the atmosphere can be given hot dip galvanised.

### TECHNICAL SPECIFICATION :

Sr.No.	Model	Voltage			Maximum Rated Burden (VA)/Accuracy Class		Maximum Thermal Rating in VA	Voltage Factor	Application
		Primary KV	Secondary V	Tertiary V	Secondary	Tertiary			
1	OPT-66	66/ $\sqrt{3}$	110/ $\sqrt{3}$	110/ $\sqrt{3}$	200/0.5	100/3P Or 6P	500	1.2 Cont. & 1.9 for 8 hrs	Measuring & Protection
2	OPT-66	66/ $\sqrt{3}$	110/ $\sqrt{3}$	110/ $\sqrt{3}$	50/0.2	100/3P Or 6P	500	1.2 Cont. & 1.9 for 8 hrs	Measuring & Protection

**GENERAL ARRANGEMENT OF 66 kV OIL FILLED OUTDOOR  
VOLTAGE TRANSFORMER TYPE : OCT-66**



**FOR MOUNTING**

- NOTES :**
- Total Weight : 240 kg ( Approx. )
  - Oil : 55 Liters ( Approx. )
  - Total Creepage Distance : 1810 mm ( min. )

Sr.No	PART NAME
1	Expansion Bellows
2	Glass Window for S.S. Bellows
3	Oil Filling Plug
4	Oil Expansion Chamber
5	H.T. Terminal
6	Tank
7	Lifting Hooks
8	Insulator
9	Terminal Box

Sr.No	PART NAME
10	Top Cover
11	Name Plate
12	Earthing Terminal
13	Earthing Label
14	Cheese Head Screw
15	Caution Label
16	Transformer Oil
17	Oil Drain Plug

## TECHNICAL DETAILS REQUIRED ALONGWITH ENQUIRY / ORDER

Application : Outdoor

Rated Transformation Ratio

No. Of Secondary Windings.

Rated burden in VA for each secondary winding.

Rated Accuracy class of each secondary winding.

Rated Voltage factor.

System Voltage in kV.

Basic Insulation level in kV.

Insulation Class.

Special requirement, if any.