



**JSL INDUSTRIES LTD.**

# “Jyoti” Voltage Transformer Upto 33 kV (Outdoor)

Introduction

Construction & Design Features

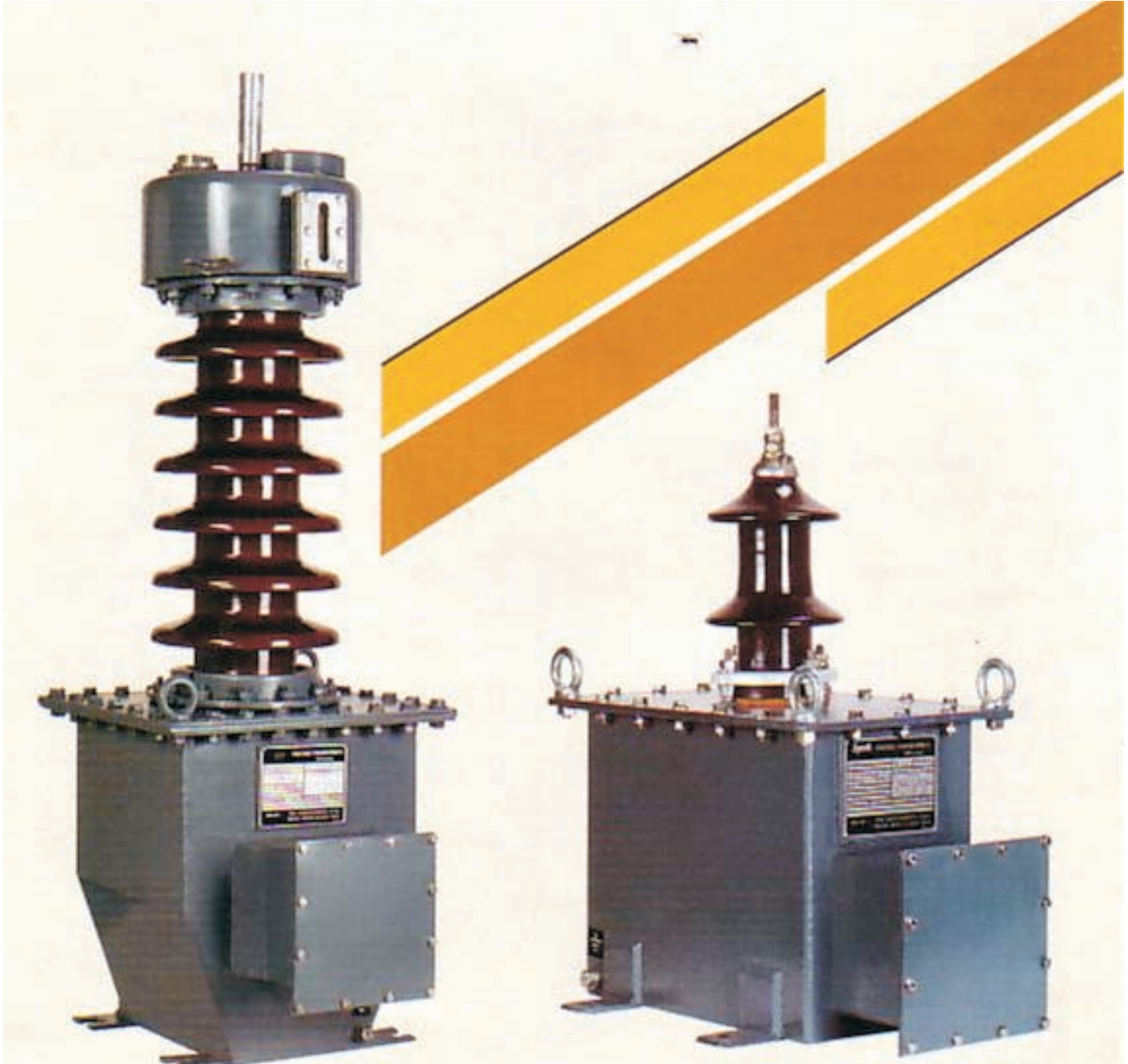
Technical Specification

Technical Information along with order



Oil / Paper Insulated, or Dry Type Compact Design, High Mechanical and Dielectric properties Complying with latest IS : 3156 / IEC-186

## “Jyoti” Voltage Transformer Upto 33 kV (Outdoor)

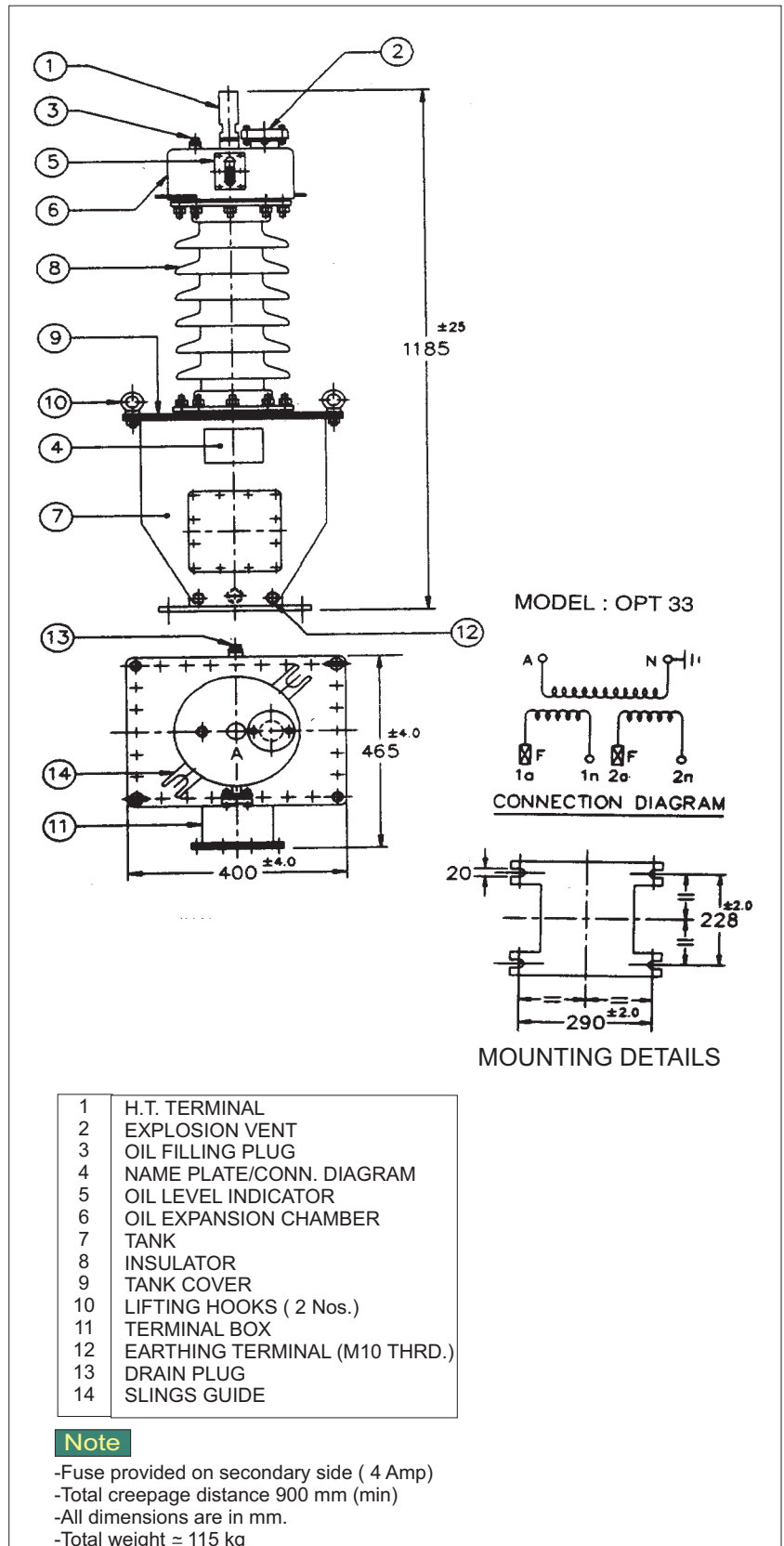


## 'Jyoti' Oil Cooled Voltage Transformers for Outdoor Applications - Meet the Growing Industrial Demand for Reliable Measurement of Power and Protection of Distribution System Upto 33 kV rating

The reliability of the Voltage Transformer is very crucial and of prime importance in modern switchgear. The cost of Voltage Transformer is relatively very low compared to that of entire switchgear but the whole system depends on the performance of Voltage Transformer for measurement and its protection. Maximum two secondary windings can be provided to meet the requirements of metering and protective class. As an option, Voltage Transformers can also be supplied filled with Nitrogen gas over the top of oil. Dual ratio may also be offered on request, which can be obtained by secondary tapping method.

### CONSTRUCTION AND DESIGN FEATURES :

- Voltage Transformer is of single pole design and earthing of terminal 'N' is a must.
- Use of best quality cores to achieve maximum accuracy.
- H.V & L.V Winding accommodated in the taken at bottom, which is at earth potential.
- Use of porcelain bushing suitable for heavily polluted atmosphere.
- Easy accessibility to L.V. Terminals.
- Oil / paper insulation for better reliability.
- Metal parts treated for corrosion resistance against atmosphere.
- Secondary Terminal box tested for IP 55.
- Wind pressure test carried out at 200 kg/m.sq



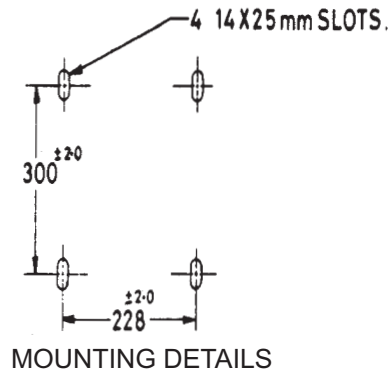
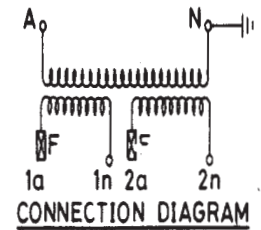
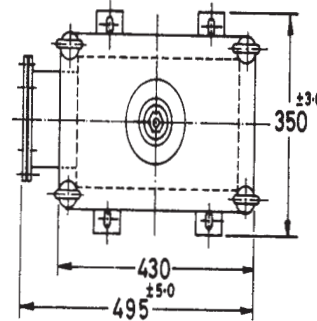
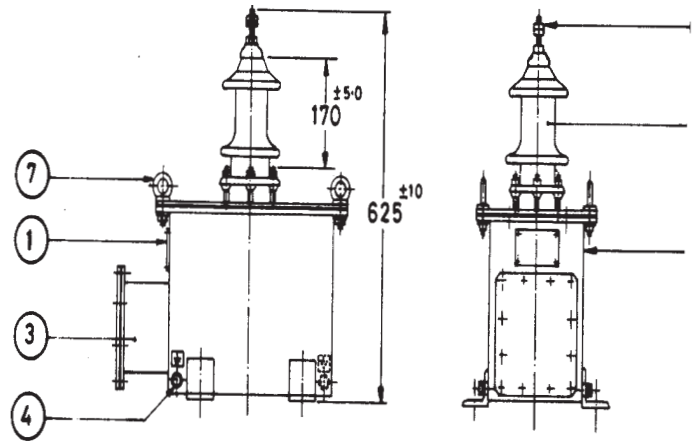
## 'JYOTI' DRY TYPE VOLTAGE TRANSFORMER :

We also offer DRY TYPE ( oilless design ) voltage transformers upto 11 kV for outdoor applications in model OVR 11/B, The resin cast voltage transformer is housed in a hermetically sealed metal tank with H.V. Terminal taken out through the porcelain insulator, The other end of H.V. Winding (N-Terminal) alongwith the terminals of secondary Windings are brought out to L.V. Terminal box for easy accessibility.

### CONSTRUCTION AND DESIGN FEATURES:

- Epoxy Resin/Porcelain insulation offers great reliability
- Compact design.
- No fear of oil leakage over a period of time.
- Sturdy construction eliminates transit damages
- Permits replacement of internal parts at site.

The design has been successfully tested for all routine / type tests as per latest IS : 3156/IEC-186. These Voltage Transformers are supplied and commissioned by Major OEMs/SEBs and are working satisfactorily over many years.



MODEL : OVR -11/B

1	NAME PLATE
2	PRIMARY TERMINAL (M12)
3	TERMINAL BOX
4	EARTHING TERMINAL (M10)
5	PORCELAIN INSULATOR
6	TANK
7	LIFTING HOOKS
TOTAL WEIGHT = 40 KG (Approx.)	

#### Note

- Fuse provided on secondary side ( 4 Amp )
- Total creepage distance = 270 mm (min)
- All dimensions are in mm.

## TECHNICAL SPECIFICATIONS :

Sr. No.	Model	Voltage			Maximum Rated Burden (VA) Accuracy Class		Maximum Thermal Rating in VA	Voltage Factor	Application
		Primary kV	Secondary V	Tertiary V	Secondary	Tertiary			
1	OPT-22/01	22/√3	110/√3	110/√3	100/0.5 or 200/1	50/3P Or 6P	500	1.2 Cont & 1.5 for 30 Sec	Measuring & Protection
2	OPT-22/02	22/√3	110/√3	110/√3	200/0.5 or 400/1	100/3P Or 6P	500	1.2 Cont & 1.9 for 30 Sec	Measuring & Protection
3	OPT-33/01	33/√3	110/√3	110/√3	100/0.5 or 200/1	50/3P Or 6P	500	1.2 Cont & 1.5 for 30 Sec	Measuring & Protection
4	OPT-33/02	33/√3	110/√3	110/√3	200/0.5 or 400/1	50/3P Or 6P	500	1.2 Cont & 1.9 for 30 Sec	Measuring & Protection

Designed in accordance with latest IS-3156 / IEC-186.

Rating and specifications other than those mentioned above can also be offered on request.

We are also one of the leading suppliers for 25 kV Outdoor Voltage Transformers as per RDSO Specifications for RAILWAYS.

## INFORMATION REQUIRED WITH ENQUIRY / ORDER :

- Application : Outdoor
- Rated Transformation Ratio.
- No. Of Secondary windings.
- Rated Burden in VA for each secondary winding
- Class of Accuracy for each secondary winding
- Rated Voltage factor.
- System Voltage in kV.
- Basic Insulation level in kV
- Insulation Class.
- Special requirement, if any.